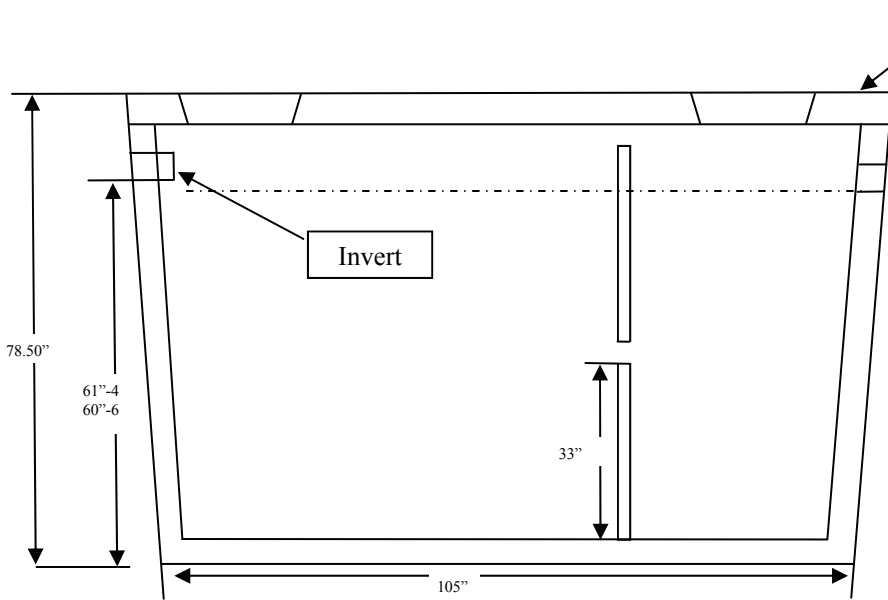
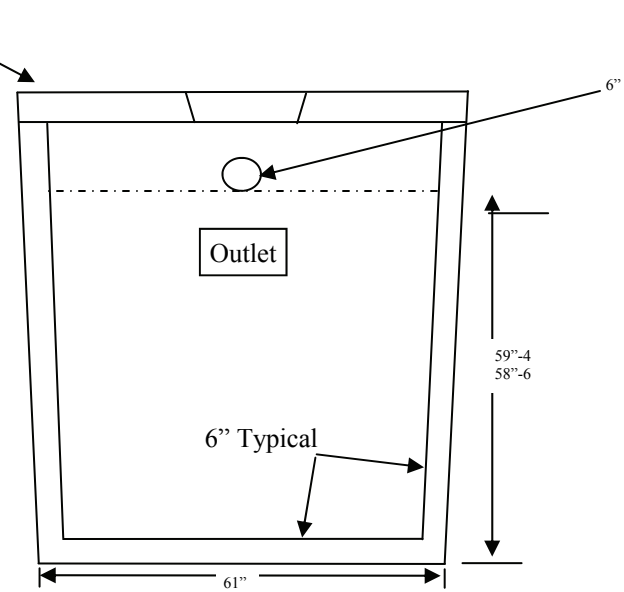


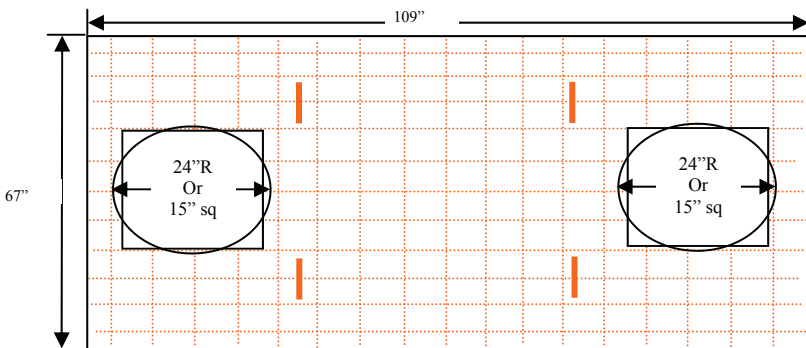
1250H20TL6B CAT 4



Side View



End View



Lid View

Notes:

1. Receptacle has been designed and tested in accordance with Florida Administrative Code (FAC) 381 Chapter 64E-6 and meets SUA "specifications & Standards" for grease interceptor/septic tanks.
2. Polylok VI High Pressure Closed End Boot Seal (Accepts 4" & 6" Pipe) It also meets ASTM C-923 specifications and can fit in a 3"- 6.5" wall with pipe and tighten take up clamp.

Not to scale

Sebring Septic Tank

Big Enough To Serve. Small Enough To Care.

1250H20TL6B CAT4
State Approval # 28-015-15D-C4

Overall liquid capacity.....1465 Gallons
 Capacity to outlet hole.....1250 Gallons
 Capacity of air space..... 191 Gallons

Concrete @ 4000psi. Air space calculated @ 15% minimum. Steel placement in tank lid, #3 grade 60 deformed rebar 6" on center both ways. All tanks are reinforced with fibrillated polypropylene fiber.