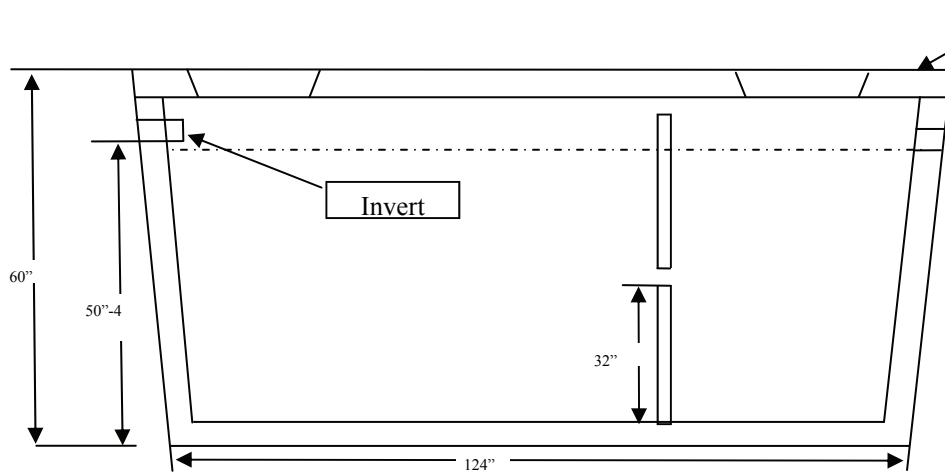
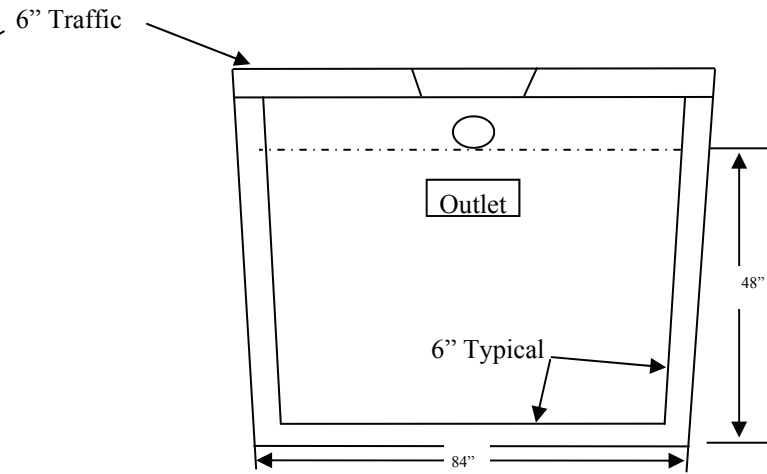


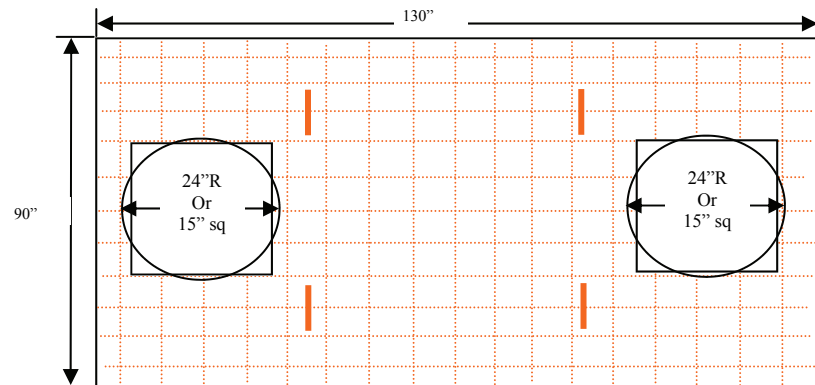
1500H20B CAT 4



Side View



End View



Top View

Not to scale

Notes:

Receptacle has been designed and tested in accordance with Florida Administrative Code (FAC) 381 Chapter 64E-6.

When receptacle is used as a pump chamber use 23.58 gallons per inch when configuring float placement.

Polylok VI High Pressure Closed End Boot Seal (Accepts 4" & 6" Pipe) It also meets ASTM C-923 specifications and can fit in a 3"- 6.5" wall with pipe and tighten take up clamp.

Sebring Septic Tank

Big Enough To Serve. Small Enough To Care.

1500H20TL6B CAT4
State Approval # 28-015-25D

Overall liquid capacity.....1725 Gallons
Capacity to outlet hole.....1500 Gallons
Capacity of air space..... 225 Gallons

Concrete @ 4000psi. Air space calculated @ 15% minimum. Steel placement in tank lid ; #6 grade 60 deformed rebar 6" OC, both ways. Walls are reinforced with #4 grade 60 deformed rebar 6" OC. Max cover 6'