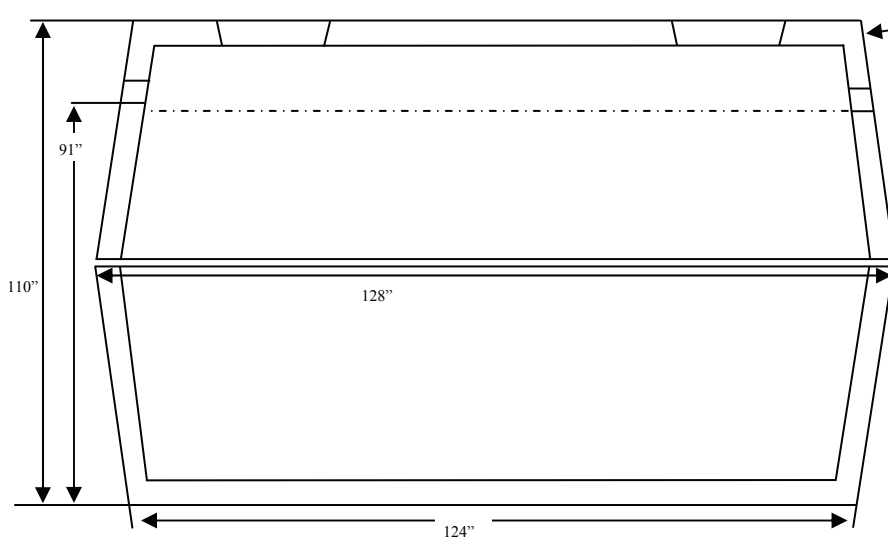
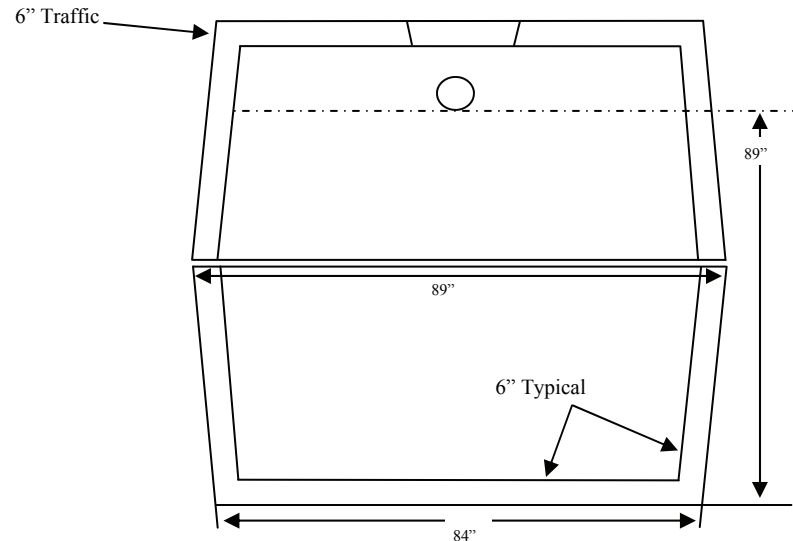


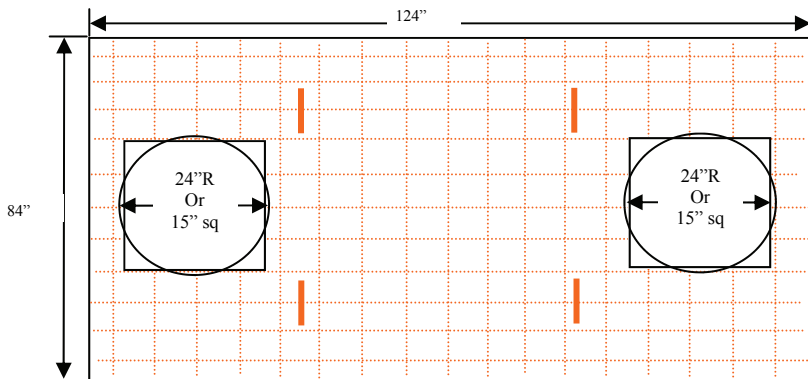
3000H20TL6NB CAT 4



Side View



End View



Top View

Notes:

Receptacle has been designed and tested in accordance with Florida Administrative Code (FAC) 381 Chapter 64E-6.

When receptacle is used as a pump chamber use 19.8 gallons per inch when configuring float placement.

Polylok VI High Pressure Closed End Boot Seal (Accepts 4" & 6" Pipe) It also meets ASTM C-923 specifications and can fit in a 3"- 6.5" wall with pipe and tighten take up clamp.

Not to scale

Sebring Septic Tank

Big Enough To Serve. Small Enough To Care

3000H20TL6NB CAT4
State Approval # 28-015-58S

Overall liquid capacity.....3394 Gallons
 Capacity to outlet hole.....3000 Gallons
 Capacity of air space..... 394 Gallons

Concrete @ 4000psi. Air space calculated @ 15% minimum. Steel placement in tank lid ; #6 grade 60 deformed rebar 6" OC, both ways. Walls are reinforced with #4 grade 60 deformed rebar 6" OC. Max cover 6'